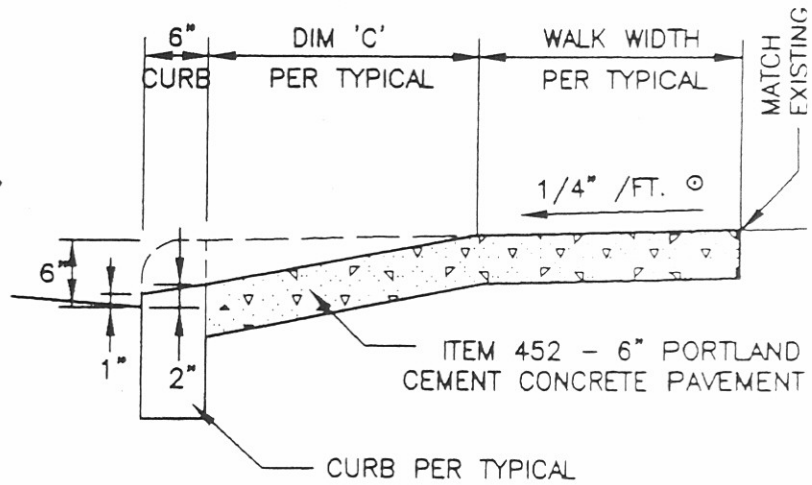
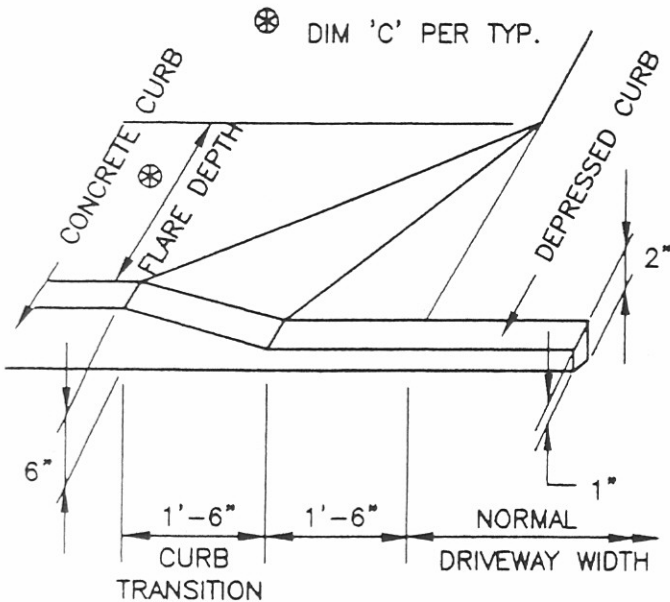


* RADIUS = TREE LAWN WIDTH + 6" CURB
 ** MATCH EXISTING DRIVE WIDTH UNLESS OTHERWISE DIRECTED.

ISOMETRIC VIEW OF DRIVE OR ALLEY WITH CURB RETURNS

⊙ MAINTAIN SLOPE REGARDLESS OF WHETHER SIDEWALK IS PRESENT OR NOT.



DRIVE WITHOUT CURB RETURNS

DRIVEWAY PROFILE

CITY OF NEW PHILADELPHIA		STANDARD CONSTRUCTION DRAWING NO. SD-17 REV. 8-93
DRIVEWAY TYPICAL DETAILS		