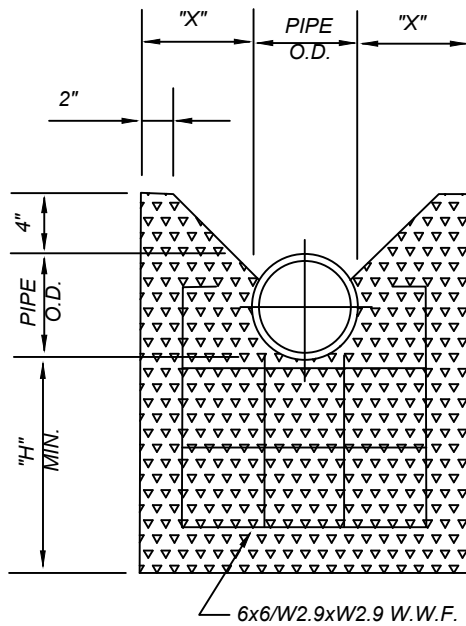


PLAN VIEW



**ANCHOR BLOCK
FACE VIEW**

***Stainless Rod & Hardware
THREADED RODS REQUIRED**

- 6" - USE 2 THREADED RODS
- 8" - USE 3 THREADED RODS
- 10" - USE 3 THREADED RODS
- 12" - USE 4 THREADED RODS

THREADED RODS TO BE EQUALLY SPACED IN CONCRETE DEADMAN 2" MIN. CLEARANCE TO CONC. FACE

PIPE O.D.	"X"	"H"
6"	8"	1' - 0"
8"	10"	1' - 3"
10"	12"	1' - 5"
12"	16"	1' - 9"

NOTE: MAXIMUM AMOUNT OF SURFACE AREA OF ANCHOR BLOCK FACE TO REST AGAINST UNDISTURBED SOIL AS POSSIBLE.

WRAP WATERMAIN IN PLASTIC WHERE IN CONTACT WITH CONCRETE ANCHOR BLOCK.

CITY OF NEW PHILADELPHIA

TYPICAL END OF WATERLINE DETAIL

STANDARD
CONSTRUCTION
DRAWING NO.

SD-140

11-2021